

**Wafer Ball Valves**

JUL, 2024

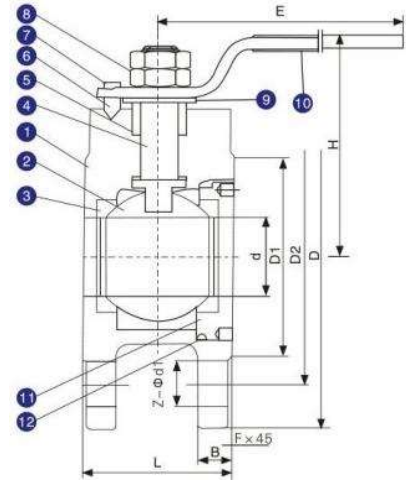
# Subo Automation

**Control your flow.**



**ELPER**

## Wafer Ball Valve(Thin Ball Valve)



### Application specifications

Nominal pressure PN:1.6-2.5MPa

Applicable temperature range: -29-150°C

Applicable media:natural, gas water, oil products, etc

### Main component materials

YQ71F

NO.	Part Name	Material	
1	valve body	SS CF8M/CF8	C. s WCB
2	ball	SS 316/304	SS304
3	gasket	PTFE	PTFE
4	Valve stem	SS316/304	SS304
5	Stem Packing	PTFE	PTFE
6	Positioning pin	SS304	SS304
7	Handle	SS304	SS304
8	Valve stem nut	SS304	SS304
9	Packing gland	SS304	SS304
10	Handle sleeve	rubber	rubber
11	Sealed bottle cap	SS316/304	SS304
12	washer	PTFE	PTFE

### Main external dimensions

SIZE	d	L	D	D1	D2	H	R	b	z-d1	f
1/2"	15	35	95	65	45	62	110	14	4-M12	2
3/4"	19	38	105	75	55	70	125	14	4-M12	2
1"	24	42	115	85	65	79	135	16	4-M12	2
1 1/4"	35	54	140	110	78	86	150	16	4-M16	3
1 1/2"	36	61	150	110	85	92	150	18	4-M16	3
2"	47	75	165	125	100	102	180	20	4-M16	3
2 1/2"	60	97	185	145	120	158	250	22	4-M16	3
3"	73	114	200	160	135	172	300	24	8-M16	3
4"	90	146	220	180	155	187	350	24	8-M16	3
5"	115	195	250	210	185	200	650	26	8-M16	3
6"	143	225	285	240	210	240	840	26	8-M20	3
8"	200	275	335	295	265	280	660	24	8-M22	3



## **Shanghai Subo Automation Technology CO.,LTD**

Office: Room A503, No.1111 Xinzhen Street, Shanghai, China

Office Hours: Monday - Friday 8:00 - 17:30

Mobile: +86 173 2103 4459

Wechat ID: subo7898

Web: [www.shanghai-super.com](http://www.shanghai-super.com)

### **Email:**

[contact@shanghai-super.com](mailto:contact@shanghai-super.com)

[business@shanghai-super.com](mailto:business@shanghai-super.com)

[inquiry@shanghai-super.com](mailto:inquiry@shanghai-super.com)