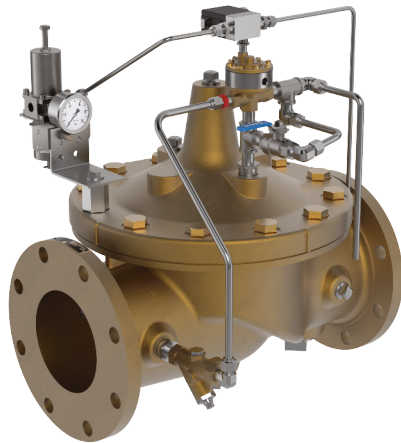




— MODEL — **134-61**

# Fire Deluge Solenoid and Remote Control Valve for Sea Water Service



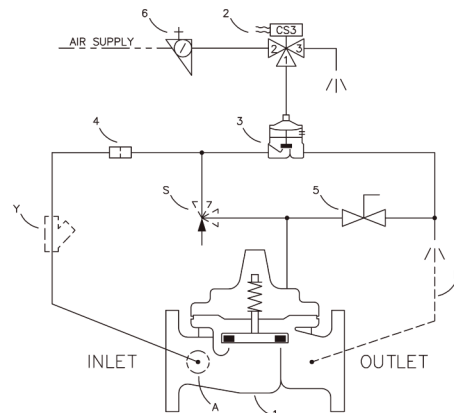
- **cULus Listed**
- **Fast Acting Solenoid Control**
- **Reliable Drip Tight Shut-off**
- **Simple Design, Proven Reliable**
- **Easy Installation & Maintenance**

The Model 134-61 Seawater Service Solenoid Control Valve is an on-off pneumatic/ hydraulic control valve which either opens or closes upon receiving an electrical signal to the solenoid pilot control. This valve consists of cULus listed 100GS/2100GS hytrol main valve, a three-way solenoid valve and an auxiliary pilot valve. This pilot control system alternately applies pressure to/or relieves pressure from the diaphragm chamber of the main valve. It is furnished either normally open (de-energize solenoid to open) or normally closed (energized solenoid to open).

## Schematic Diagram

### Item Description

- |   |                                    |
|---|------------------------------------|
| 1 | 100GS Hytrol Main Valve            |
| 2 | CS3XM Solenoid Control             |
| 3 | 100-02 Powertrol (Auxiliary Valve) |
| 4 | X58C Restriction Assembly          |
| 5 | Ball Valve                         |
| 6 | Regulator                          |



## Specification

**SIZES** Globe: 3" - 12" flanged  
Angle: 3" - 12" flanged

**END DETAILS** Ductile Iron 150 ANSI B16.42 flanged  
Cast Steel 150 ANSI B16.5 flanged

**PRESSURE RATINGS** 150 class, 250 psi maximum (Ductile Iron)  
150 class, 285 psi maximum (Cast Steel)  
300 class, 400 psi maximum

**TEMPERATURE RANGE** Water: to 180° F. Max

## MATERIALS

### Main valve body & cover

- Ductile Iron ASTM A-536\*
- Cast Steel ASTM A216-WCB\*
- Nickel Aluminum Bronze ASTM B148 C95800
- Super Duplex Stainless Steel ASTM A890 GR5A
- Stainless Steel ASTM A743-CF-8M

### Main valve trim:

Bronze / Monel

### Tubeing & Fittings

316 SST, Monel, or 2507 SDS

### Pilot control system:

Cast Bronze ASTM B61  
cULus Listed 3" - 12"

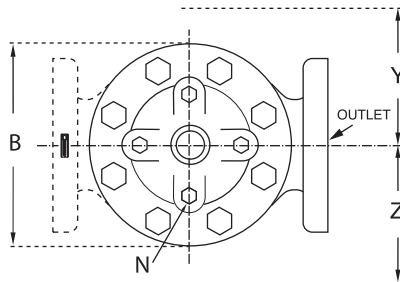
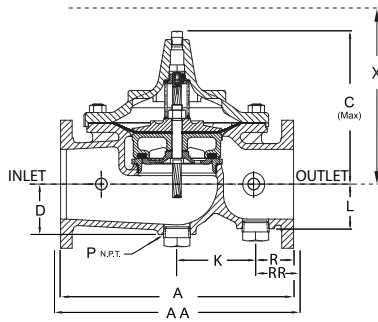
## Functional Data

Valve Size		Inches	3	4	6	8	10	12
		mm	80	100	150	200	250	300
Cv Factor	Globe Pattern	Gal./Min. (gpm.)	115	200	440	770	1245	1725
		Litres/Sec. (L/s)	27.6	48	105.6	184.8	299	414
	Angle Pattern	Gal./Min. (gpm.)	139	240	541	990	1575	2500
		Litres/Sec. (L/s)	33.4	58	130	238	378	600

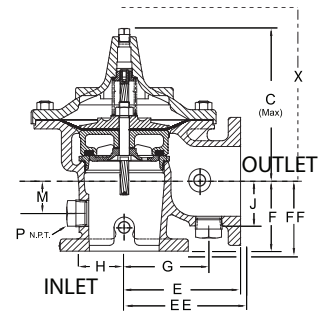
## Cover Capacity

Valve Size	Displacement
3"	.080 gal
4"	.169 gal
6"	.531 gal
8"	1.26 gal
10"	2.51 gal
12"	4.00 gal

100GS (Globe)



2100GS (Angle)



Valve Size (in)	3	4	6	8	10	12
A 150 ANSI	12.00	15.00	20.00	25.38	29.75	34.00
AA 300 ANSI	13.25	15.62	21.00	26.38	31.12	35.50
B Dia.	9.12	11.50	15.75	20.00	23.62	28.00
C Max.	8.19	10.62	13.28	16.00	17.12	21.00
D	2.56	3.19	4.31	5.16	8.50	9.39
E 150 ANSI	7.00	8.50	10.00	12.69	14.88	17.00
EE 300 ANSI	--	8.81	10.50	13.19	--	17.75
F 150 ANSI	4.00	4.97	6.00	8.00	8.62	13.75
FF 300 ANSI	--	5.28	6.50	8.50	--	14.50
G	4.75	5.94	7.25	8.50	10.50	17.00
H	2.69	2.81	3.88	5.31	6.56	7.00
J	2.56	2.81	3.81	4.81	5.81	7.00
K	7.00	4.03	6.75	17.00	15.50	21.00
L	2.56	2.81	3.81	4.81	8.50	9.39
M	1.75	2.41	2.75	4.00	4.24	8.75
N NPT	1/2"-14	3/4"-14	3/4"-14	1"-11 1/2	1"-11 1/2	1"-11 1/2
P NPT	1-1/4"-11 1/2"	2"-11 1/1/2"				
R 150 ANSI	2.50	3.47	3.25	4.19	7.12	6.50
RR 150 ANSI	3.12	3.78	3.75	4.69	7.81	7.25
X Pilot System	15.00	17.00	29.00	31.00	33.00	35.00
Y Pilot System	11.00	12.00	20.00	22.00	24.00	26.00
Z Pilot System	11.00	12.00	20.00	22.00	24.00	26.00

Valve Size (mm)	80	100	150	200	250	300
A 150 ANSI	305	381	508	645	756	864
AA 300 ANSI	337	397	533	670	791	902
B Dia.	232	292	400	508	600	711
C Max.	208	270	340	406	435	533
D	65	81	110	131	216	239
E 150 ANSI	178	216	254	322	378	432
EE 300 ANSI	--	224	267	350	--	451
F 150 ANSI	102	126	152	203	219	349
FF 300 ANSI	--	134	165	216	--	368
G	121	151	184	216	267	432
H	68	71	99	135	167	178
J	65	71	97	122	148	178
K	178	102	171	432	394	533
L	65	71	97	122	216	239
M	45	61	70	102	108	222
N NPT	1/2"-14	3/4"-14	3/4"-14	1"-11 1/2	1"-11 1/2	1"-11 1/2
P NPT	1-1/4"-11 1/2"	2"-11 1/1/2"				
R 150 ANSI	64	88	83	106	181	165
RR 150 ANSI	79	96	95	119	198	184
X Pilot System	381	432	737	787	838	889
Y Pilot System	279	305	508	559	610	660
Z Pilot System	279	305	508	559	610	660

**Pilot System Specifications**

**Temperature Range**

Water: to 180°F

**Fluids**

Air, water, light oils

**Rubber Parts**

Buna-N® Synthetic Rubber

**Solenoid Control\***

Body:

316 SS

Enclosure:

NEMA Type 1, 2, 3, 3S, 4, 4X general purpose watertight

NEMA Type 6, 6P, 7, 9 watertight

Explosion Proof available at extra cost

**Voltages:**

110, 220 -50Hz AC

24, 120, 240, 480 -60Hz AC

6, 12, 24, 120, 240 - DC

Others available at extra cost

Max. operating pressure differential: 200 psi

Coil:

Insulation molded Class F

Watts AC

6

AC Volt Amps Inrush

30

AC Volt Amps Holding

16

Watts DC

10.6

Manual operator available at extra cost.

cULus Listed: 3" - 12"

\*Optional material available for Seawater Service

**When Ordering, Please Specify**

1. Catalog No. 134-61
2. Valve Size
3. Pattern - Globe or Angle
4. Pressure Class
5. Threaded, Flanged or Grooved
6. Material Desired
7. Energized or De-energized to Open Main Valve
8. Solenoid Enclosure, Voltage & Hertz
9. When Vertically Installed



134-61

**Shanghai Subo Automation Technology CO.,LTD**

Office: Room A503, No.1111 Xinzhen Street, Shanghai, China

Office Hours: Monday - Friday 8:00 - 17:30

Mobile:+86 173 2103 4459

Web: www.shanghai-super.com

Email:

contact@shanghai-super.com

business@shanghai-super.com

inquiry@shanghai-super.com